

THE BRAND

Archilume's glare-free luminaires are a revolution in the use of LED lighting due to the use of the total internal reflection (TIR) optical principle. Archilume's unassuming simplicity masks a visionary design that transforms energy-efficient LED lighting into clean, modern luminaires. The dimmable lighting collection includes pendant lights, ceiling chandeliers, and wall sconces as well as customized configurations to create impactful feature lighting installations.

Designed and manufactured in Vancouver, BC, Archilume's manufacturing ethics stem from a principle of maximizing the use of smaller local production facilities to create an inherently energy efficient product with a reduced carbon footprint. This business practice contributes to a healthy local economy with high standards of production quality.

"We have had huge success in building a practice using local manufacturing because of the high standards of quality control we can exercise with our fabrication partners," says Archilume owner and lighting designer, Saleem Khattak. "There are many small manufacturers who do good quality work in British Columbia, and we value keeping this production alive and thriving in our home province."

Archilume captures the principle of total internal reflection and diffusion to create sleek glarefree lights in a sculptural form suited for ultra-modern to heritage-style interiors. The Archilume lighting line is intended for illumination at counter and bar areas, or in clustered formations as chandeliers in hotel lobbies, entrances, lounges and dining areas. The line is versatile and offers the option to order custom configurations.

archilume.com

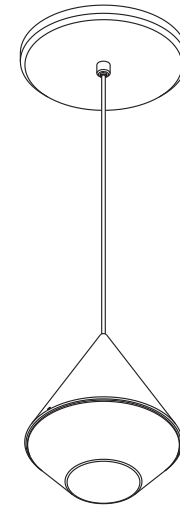
archilume







P1 ALTO



Pendant · Indoor



Defined by a strong upper conical shape, Alto's form finishes at its base with a jewel-like transparent element reminiscent of a craftsman cut diamond. Alto emits a flattering warm light that is free from glare owing to Archilume's signature application of total internal reflection optics. This design, incorporating the latest warm dimming LED technology, transitions from a color temperature of 3000 degrees Kelvin at full brightness to a warm color temperature of 1800 degrees Kelvin when dimmed. Alto can hang as a single element or be grouped to create an inspiring installation on a grand scale. Alto is fully compatible with Archilume's Configurate canopy system for expanded creative lighting expressions.

Light Source

Single 4 watt LED, 400 lumens, 95 CRI, 3000K warm white color temperature). Color consistent from LED to LED within a 3 step MacAdam ellipse.

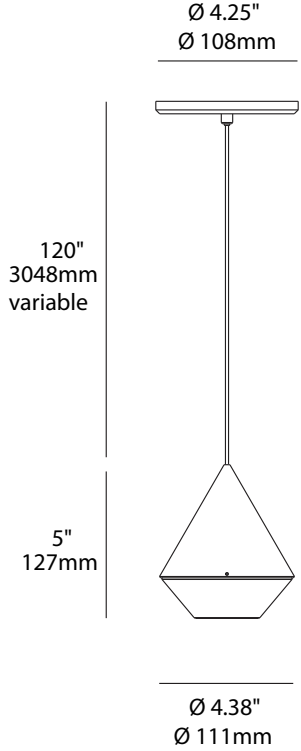




P1 ALTO SPECIFICATION



Description:	High efficiency LED decorative pendant mount luminaire with machined aluminum housing and clear acrylic light control lens.
Lamping:	Single 4 watt warm dimmable LED, 400 lumens, 95 CRI, 3000K to 1800K smooth dimming transition. Color consistent from LED to LED within a 3 step MacAdam ellipse.
Electrical:	Constant current class 2 driver (0-10V dimmable), 120/277V 50/60Hz, 250mA driver (sold separate). See D8-250 remote driver spec sheet for details.
Function:	Canopy and mounting plate provided. Mounts directly to 4" octagonal j-box (by others) 120"(3048mm) suspension cable provided standard. Field adjustable.
Metal finish:	Clear anodized aluminum (Custom anodized finishes available)
Light Distribution Optics:	Clear acrylic light control lens with diffuse light distribution aperture
Approvals:	Dry locations, approved to UL safety standards for luminaires when used with Archilume D8 series driver.
Order Code:	P1_Aura



Product Symbols

Colour Finishes



Product Specifications

